

iDS-MCD202-B Portable PTZ Camera



- 1/2.8" progressive scan CMOS; 1920 × 1080/1280 × 720 resolution
- H.265/H.264/MJPEG video compression
- 30× optical zoom, 12× digital zoom
- HLC/BLC/DNR/EIS
- Up to 100 m IR distance
- Built-in dual TF card slots, up to 512 GB for each TF card
- One 4G module and two extended 4G modules; 802.11 b/g/n/ac Wi-Fi; GPS positioning module; Bluetooth 4.0
- Quick installation with the magnetic base and the tripod bracket
- Wi-Fi AP, which allows you to connect the mobile phone to the camera directly and control the camera conveniently
- Pluggable battery for continuous work for 9 hours
- Replaceable battery for sustainable work
- 360° endless pan and -20° to 90° (auto-flip) tilt movement range for PTZ
- Embedded screen for status display, e.g. battery, GPS, 3G/4G, record status, storage capacity, Bluetooth, platform access, Wi-Fi, and smart algorithm mode
- Supports accessing via IE browser and client, and remote operation
- Supports importing customized audio, linking with smart analysis alarm

**iDS-MCD202-B is a high-definition integrated portable IR speed dome embedded with audio encoding/decoding, video encoding/decoding, 3G/4G, Wi-Fi, and satellite positioning. It integrates vehicle arming, etc., widely applied in temporary operation scenes.*

▪ Specification

Camera	
Image Sensor	1/2.8" progressive scan CMOS
Zoom	30 × optical, 12 × digital
Max. Recording Resolution	1920 × 1080
Min. Illumination	Color: 0.05 Lux@ (F1.6, AGC ON), Black: 0.01 Lux@ (F1.6, AGC ON)
Day & Night	Switch IR cut filter automatically
Lens	
Focal Length	4.5 to 135 mm vari-focal lens
Aperture	F1.6 to F4.4
FOV	Horizontal FOV: 60.5°, Vertical FOV: 36°
Event	
Smart Event	Vehicle license plate recognition, face capture
License Plate Recognition	Supported
Video	
Video Compression	H.264, H.265, MJPEG
Video Format	PS
Main Stream	50 Hz: 25 fps (1920 × 1080, 1280 × 720, 704 × 576, 704 × 288, 352 × 288), 60 Hz: 30 fps (1920 × 1080, 1280 × 720, 704 × 576, 704 × 288, 352 × 288)
Sub-Stream	50 Hz: 25 fps (1280 × 720, 704 × 576, 704 × 288, 352 × 288), 60 Hz: 30 fps (1280 × 720, 704 × 576, 704 × 288, 352 × 288)
Screen	
Screen Type	LCD
Touchscreen	Not supported
IR	
IR Range	Up to 100 m
IR Wavelength	940 nm
Wireless Network	
Positioning Mode	GPS
Wi-Fi Frequency Band	2.412 to 2.472 GHz, 5.15 to 5.25 GHz, 5.725 to 5.875 GHz
Wi-Fi Protocol	802.11 b/g/n/ac
Cellular Network	FDD-LTE: B1/B3/B7/B8/B20, WCDMA/HSDPA/HSUPA/HSPA+: B1/B8, GSM/GPRS/EDGE: 900 MHz/1800 MHz
Bluetooth	BT4.0
Network	
Protocol	HTTPS, RTSP, NTP, FTP
API	ONVIF (PROFILE S, PROFILE G, PROFILE T), ISAPI, SDK, ISUP
Interface	
Indicator	1 indicator(s) for charging/working/recording/exception
Button	Power
SIM Card	1 Micro-SIM card slot
Ethernet	1 RJ45 Ethernet port
Aviation Plug	10-Core Aviation Plug, supporting RS-232, RJ45 and power input, 9-Core Aviation Plug, supporting RS-485, LINE IN/LINE OUT, 5 V output, Alarm I/O
Audio	2 built-in mic(s), 1 speaker(s)

General Interface	10-Core Aviation Plug, supporting RS-232, RJ45 and power input 9-Core Aviation Plug, supporting RS-485, LINE IN/LINE OUT, 5 V output, Alarm I/O
PTZ	
Preset	256 arming locations
Tilt	-20° to 90° (Auto-flip)
Pan	360° endless
General	
Operating Condition	-20 °C to 60 °C (-4 °F to 140 °F). Humidity 95% or less (non-condensing)
Operating System	Linux
Storage Condition	-30 °C to 70 °C (-22 °F to 158 °F). Humidity 95% or less (non-condensing)
Speaker	1 built-in speaker
Client	Hik-Connect, HikCentral Pro, HikCentral Master
Power	12 VDC, 10 W when 4G, Wi-Fi, Bluetooth and PTZ rotating are off
Dimensions	159.7 mm × 165.3 mm × 261.1 mm (6.3" × 6.5" × 10.3")
Weight	3.7 kg (without mounting) (8.16 lb.)
Installation Method	Wall-mounted, Tripod-mounted
Packing List	1× AC power cable, 1 × adapter, 1 × Lithium-ion battery, 1 × safety rope, 1 × screwdriver, 1 × 10-core main aviation cable
Battery	
Battery Type	Lithium-ion battery, dismountable
Capacity	13400 mAh
Charging Time	≤ 4 h
Battery Life	Up to 9 h in 1080P resolution ¹
Approval	
RF	CE-RED: EN 301 489-1 V2.2.3: 2019; EN 301 489-3 V2.2.2: 2019; EN 301 489-17 V3.2.4: 2020; EN 301 489-19 V2.2.1: 2022; EN 301 489-52 V1.2.1: 2021; EN 55032: 2015/A11: 2020; EN 55035: 2017/A11: 2020; EN 50130-4: 2011/A1: 2014; EN IEC 61000-3-2: 2019/A1: 2021; EN 61000-3-3: 2013/A2: 2021; EN 300 328 V2.2.2: 2019; EN 301 893 V2.1.1.1: 2017; EN 301 440 V2.1.1: 2017; EN 301 908-1 V15.1.1: 2021; EN 301 908-2 V13.1.1: 2020; EN 301 908-13 V13.2.1: 2022; EN 303 413 V1.2.1: 2021; EN 62479: 2010; EN 50663: 2017; EN 50385: 2017; EN IEC 62311: 2020; EN 62311: 2008; EN 62368-1: 2014/A11: 2017
EMC	CE-EMC: EN55032:2015, EN 61000-3-2:2014, EN61000-3-3:2013, EN 50130-4:2011 +A1:2014
Safety	CB: IEC 62368-1: 2018
Environment	CE-RoHS: 2011/65/EU
Protection	IP66: IEC 60529-2013

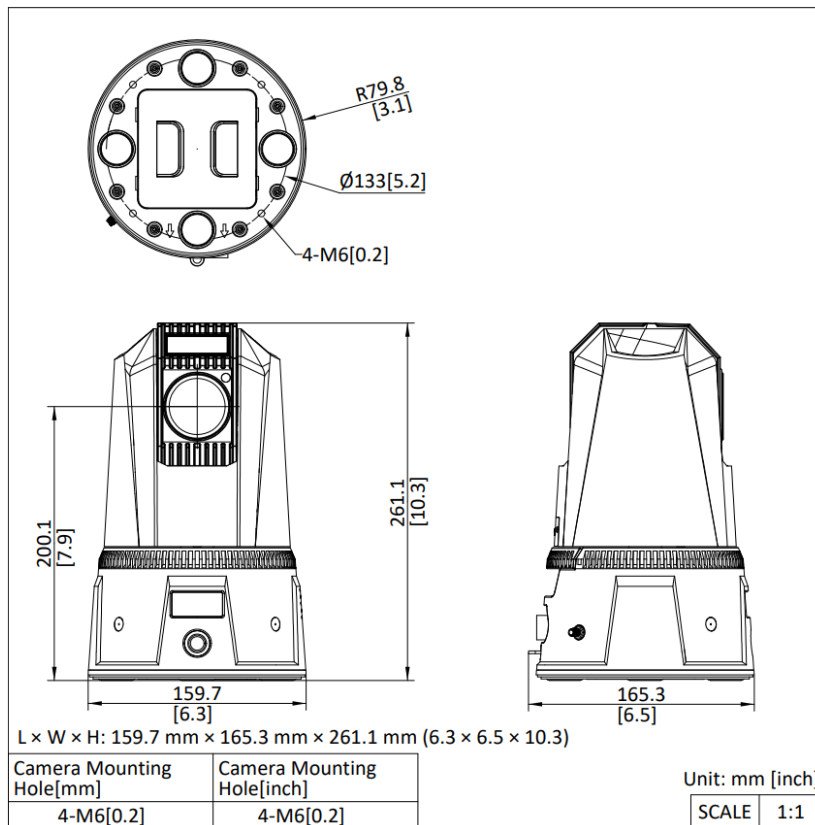
This is a basic estimation of battery working life only when recording is on. Additional power consumption should be considered when IR, GPS, and/or network connection is on.

▪ Available Model

iDS-MCD202-B/30X/N/GLE

iDS-MCD202-BS/30X/N/GLE

▪ **Dimension**



▪ **Accessory**
▪ **Included**

DS-MH1691I-H Portable PTZ Dome Tripod	DS-MH1490 Portable PTZ Dome Battery Charger

▪ **Optional**



Headquarters

No.555 Qianmo Road, Binjiang District,
Hangzhou 310051, China
T +86-571-8807-5998
www.hikvision.com



Follow us on social media to get the latest product and solution information.

